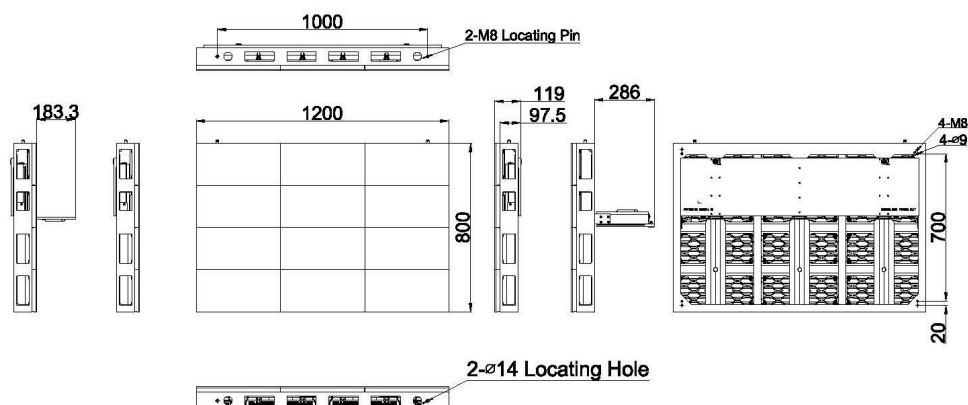


Parameter	Value
Pixel Pitch	6.7mm - 8.3mm - 10mm
LED Type	3-in-1 SMD
LED Configuration	1Red,1Green,1Blue
Brightness	7000cd/m ²
Pixel Density	22500 pixels/m ² - 14400 pixels/m ² - 10000 pixels/m ²
Module Size	W400mm×H200mm
Module Number W3×H4	W3×H4
Cabinet Size	W1200mm×H800mm×D119mm
Pixels Per Panel	180×120 Dots - 144×96 Dots - 120×80 Dots
Area	9.6 m ²
Weight	37.5kg
Recommended Viewing Distance	≥6.7m - ≥8.3m - ≥10m
Material	Aluminum Alloy
Environment	Outdoor
Ingress Protection	IP65/IP54
Operating Temperature/Humidity	-20℃~+50℃/10~90%RH
Storage Temperature/Humidity	-30℃~+60℃/10~95%RH
Maintenance	Front and Rear
Gap Between Modules	Seamless
Horizontal Viewing Angle	140°
Vertical Viewing Angle	120°
Color Temperature	2000-9300K Adjustable
Colors	4.4 Trillion
Brightness Control	Manual/Automatic
Calibration	Support luminance/chroma
Contrast Ratio	7300:1
Input Power <Max>	702W/m ²
Input Power <Typical>	234W/m ²
Driving Method	Constant Current Drive
Video Frame Rate	50/60 Hz
Rate Refresh	1920 Hz
Input Voltage	100~240VAC
Input Power Frequency	47~63 Hz
Input Signal	DVI/HDMI/VGA/SDI/DP/AV/S-Video, etc
LED Life Time	≥100,000 Hours
LED Wavelength	R:620~630nm G:520~535nm B:465~475nm
Standard Mounting Configuration	Fixed
Professional Services	Design, configuration, install and service available
Data Interconnection	Network Cable (L≤100m); multi-mode fiber (L≤300m); single mode fiber (L≤15km)

Note: Specifications are for reference only and are subject to change without notice.



Parameter	Value
Pixel Pitch	6.7mm - 8.3mm - 10mm
LED Type	3-in-1 SMD
LED Configuration	1Red,1Green,1Blue
Brightness	7000cd/m ²
Pixel Density	22500 pixels/m ² - 14400 pixels/m ² - 10000 pixels/m ²
Module Size	W400mm×H200mm
Module Number W3×H4	W3×H4
Cabinet Size	W1200mm×H1000mm×D119mm
Pixels Per Panel	180×150 Dots - 144×120 Dots - 120×100 Dots
Area	1.2 m ²
Weight	47kg
Recommended Viewing Distance	≥6.7m - ≥8.3m - ≥10m
Material	Aluminum Alloy
Environment	Outdoor
Ingress Protection	IP65/IP54
Operating Temperature/Humidity	-20℃~+50℃/10~90%RH
Storage Temperature/Humidity	-30℃~+60℃/10~95%RH
Maintenance	Front and Rear
Gap Between Modules	Seamless
Horizontal Viewing Angle	140°
Vertical Viewing Angle	120°
Color Temperature	2000-9300K Adjustable
Colors	4.4 Trillion
Brightness Control	Manual/Automatic
Calibration	Support luminance/chroma
Contrast Ratio	7300:1
Input Power <Max>	702W/m ²
Input Power <Typical>	234W/m ²
Driving Method	Constant Current Drive
Video Frame Rate	50/60 Hz
Rate Refresh	1920 Hz
Input Voltage	100~240VAC
Input Power Frequency	47~63 Hz
Input Signal	DVI/HDMI/VGA/SDI/DP/AV/S-Video, etc
LED Life Time	≥100,000 Hours
LED Wavelength	R:620~630nm G:520~535nm B:465~475nm
Standard Mounting Configuration	Fixed
Professional Services	Design, configuration, install and service available
Data Interconnection	Network Cable (L≤100m); multi-mode fiber (L≤300m); single mode fiber (L≤15km)

Note: Specifications are for reference only and are subject to change without notice.

