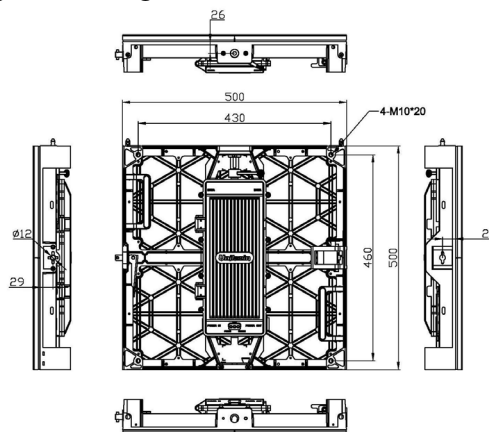
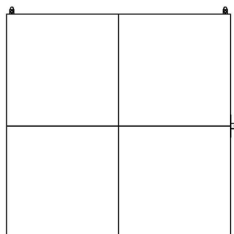


500x500

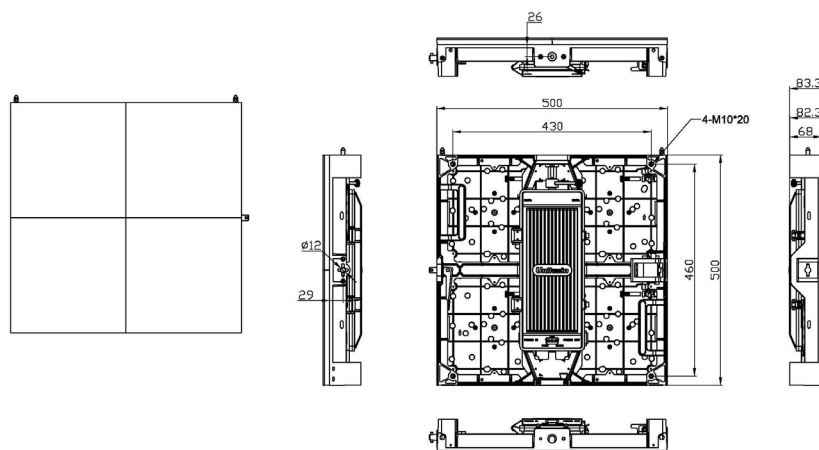
Parameter	Value
Pixel Pitch	3.9 mm - 4.8 mm - 5.9 mm - 6.9 mm
Pixel configuration	1R1G1B
LED type	3-in-1 SMD1921 - 3-in-1 SMD2727
Brightness	5500 cd/m ²
Color temperature	2000K~9300K adjustable
Viewing angle	H: 140°; V:120°
Pixel density	65536 pixels/m ² - 43264 pixels/m ² - 28224 pixels/m ²
Recommended viewing distance	≥3.9 M - ≥4.8 M - ≥5.9 M - ≥6.9 M
Module size	250mm×250mm
Cabinet size	W500mm×H500mm×D83.3mm
Cabinet Weight	8 kg
Cabinet Area	0.25 m ²
Material	Die-casting Aluminum
Aspect ratio	1:1
Ingress protection	IP65
Operating Temperature/Humidity	-20°C~+50°C/10~90%RH
Storage Temperature/Humidity	-30°C~+60°C/10~90%RH
Pixels per panel	128×128 Dots - 104×104 Dots - 84×84 Dots
Processing depth	12bit - 14bits
Gray scale	4096 levels per color - 16384 levels per color
Color	68.7 billion
Service method	Rear & Front
Curve optional	(Outer) -5°~+5°(Inner) (Optional)
Calibration	Support luminance/chroma
Brightness control	Manual/Automatic
Contrast ratio	3000:1
Video frame rate	50/60Hz
Rate refresh	1920Hz
Input voltage	100-240V~
Input power frequency	50~60Hz
Input power <max>	210W/ Panel
Input power <typical>	70 W/ Panel
Life Time	≥100,000 Hours
LED Wavelength	R:620~630nm G:520~535nm B:465~475nm
Driving Method	1/8 Scan, 1/13 Scan, Constant Current
Input signal	DVI/HDMI/VGA/SDI/DP/AV/S-Video
Rigging form	Hanging/Fixed
Data interconnection	CAT5 Cable (L≤100m); multi-mode fiber (L≤300m); single mode fiber (L≤15km)

Note: Specifications are for reference only and are subject to change without notice.



Parameter	Value
Pixel Pitch	2.6 mm - 3.9 mm - 4.8 mm
Pixel configuration	1R1G1B
LED type	3-in-1 Black SMD2121
Brightness	1000 cd/m ²
Color temperature	2000K~9300K adjustable
Viewing angle	H: 140°; V:120°
Pixel density	147456 pixels/m ² - 65536 pixels/m ² - 43264 pixels/m ²
Recommended viewing distance	≥2.6 M - ≥3.9 M - ≥4.8 M
Module size	250mm×250mm
Cabinet size	W500mm×H500mm×D83.3mm
Cabinet Weight	7.8kg
Cabinet Area	0.25 m ² - 0.5 m ²
Material	Die-casting Aluminum
Aspect ratio	1:1
Ingress protection	IP30
Operating Temperature/Humidity	-10°C~+45°C/10~80%RH
Storage Temperature/Humidity	-20°C~+55°C/10~80%RH
Pixels per panel	192×192 Dots - 128×128 Dots - 104×104 Dots
Processing depth	14bits - 12bit
Gray scale	16384 levels per color - 4096 levels per color
Color	4.4 trillion - 68.7 billion
Service method	Rear & Front
Curve optional	(Outer) -5°~+5°(Inner) (Optional)
Calibration	Support luminance/chroma
Brightness control	Manual/Automatic
Contrast ratio	3000:1
Video frame rate	50/60Hz
Rate refresh	1920Hz
Input voltage	100-240V~
Input power frequency	50~60Hz
Input power <max>	120W/ Panel
Input power <typical>	40 W/ Panel
Life Time	≥100,000 Hours
LED Wavelength	R:620~630nm G:520~535nm B:465~475nm
Driving Method	1/16 Scan, Constant Current
Input signal	DVI/HDMI/VGA/SDI/DP/AV/S-Video
Rigging form	Hanging/Fixed
Data interconnection	CAT5 Cable (L≤100m); multi-mode fiber (L≤300m); single mode fiber (L≤15km)

Note: Specifications are for reference only and are subject to change without notice.



Metal Version

Parameter	Value
Pixel Pitch	3.9 mm - 4.8 mm
Pixel configuration	1R1G1B
LED type	3-in-1 Black SMD2121
Brightness	1000 cd/m ²
Color temperature	2000K~9300K adjustable
Viewing angle	H: 140°; V:120°
Pixel density	65536 pixels/m ² - 43264 pixels/m ²
Recommended viewing distance	≥3.9 M - ≥4.8 M
Module size	250mm×250mm
Cabinet size	W500m×H500mm×D80.5mm
Cabinet Weight	6.5 kg
Cabinet Area	0.25 m ² - 0.5 m ²
Material	Sheet Aluminum
Aspect ratio	1:1
Ingress protection	IP30
Operating Temperature/Humidity	0°C~+45°C/10~80%RH
Storage Temperature/Humidity	-10°C~+55°C/10~80%RH
Pixels per panel	128×128 Dots -104×208 Dots
Processing depth	12bit
Gray scale	4096 levels per color
Color	68.72 billion
Service method	Rear & Front
Calibration	Support brightness/color
Brightness control	Manual/Automatic
Contrast ratio	3000:1
Video frame rate	50/60Hz
Rate refresh	1920Hz
Input voltage	100-240V~
Input power frequency	50~60Hz
Input power <max>	120W/ Panel
Input power <typical>	40 W/ Panel
Life Time	≥100,000 Hours
LED Wavelength	R:620~630nm G:520~535nm B:465~475nm
Driving Method	1/18 Scan, Constant Current
Input signal	DVI/HDMI/VGA/SDI/DP/AV/S-Video
Rigging form	Hanging/Fixed
Data interconnection	CAT5 Cable (L≤100m); multi-mode fiber (L≤300m); single mode fiber (L≤15km)

Note: Specifications are for reference only and are subject to change without notice.

